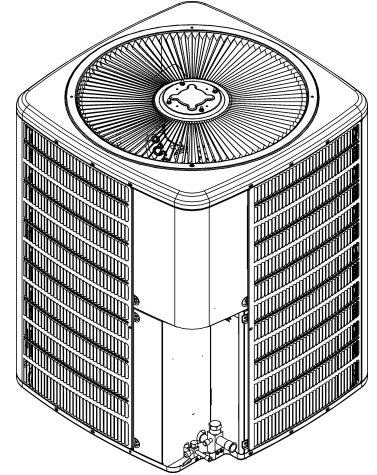

DX3SEA Remote Condensing Unit

DX3SEA3630AA
DX3SEA3640AA
DX3SEA4830AA
DX3SEA4840AA
DX3SEA6030AA
DX3SEA6040AA



This manual is to be used by qualified technicians only.

Important Information

Index

| | |
|------------------------------|-------|
| Functional Parts List | 3 |
| Illustration and Parts | 4 - 9 |

Views shown are for parts illustrations only, not servicing procedures.

Text Codes:

AR - As Required

NA - Not Available

NS - Not Shown

00000000 - See Note

QTY - Quantity Example (QTY 3) (If Quantity not shown, Quantity = 1)

M - Model Example (M1) (If M Code not shown, then part is used on all Models)

Expanded Model Nomenclature:

| |
|--------------|
| Example |
| M1 - Model#1 |
| M2 - Model#2 |
| M3 - Model#3 |

Daikin Comfort Technologies Manufacturing , L.P. is not responsible for personal injury or property damage resulting from improper service. Review all service information before beginning repairs.

Warranty service must be performed by an authorized technician, using authorized factory parts. If service is required after the warranty expires, Daikin Comfort Technologies Manufacturing , L.P. also recommends contacting an authorized technician and using authorized factory parts.

Daikin Comfort Technologies Manufacturing , L.P. reserves the right to discontinue, or change at any time, specifications or designs without notice or without incurring obligations.

For assistance within the U.S.A. contact:
Homeowner Support
Daikin Comfort Technologies Manufacturing , L.P.
19001 Kermier Road
Waller, Texas 77484
855-770-5678-Telephone
713-863-2382-Facsimile

For assistance outside the U.S.A. contact:
International Division
Daikin Comfort Technologies Manufacturing , L.P.
19001 Kermier Road
Waller, Texas 77484
713-861-2500-Telephone
713-863-2382-Facsimile

Functional Parts

Part

No: Description:

| | |
|----------------|-------------------------------------|
| 0151R00185 | BASE VALVE 3/4" (M1, M2) |
| 0151R00187 | BASE VALVE 3/8" |
| 0151R00186 | BASE VALVE 7/8" (M3, M4, M5, M6) |
| CAP050000370LA | CAP, 5 MFD/370V/OVAL |
| ZP40K6ETF5120 | COMP, 53500, 208/230/60/3 (M3) |
| ZP40K6ETFD120 | COMP, 53600, 460/60/3 (M4) |
| ZP51K7ETFD130 | COMPRESSOR, COPELAND (M6) |
| ZP29K7ETF5130 | COMPRESSOR, COPELAND (M1) |
| ZP51K7ETF5130 | COMPRESSOR, COPELAND (M5) |
| ZP29K7ETFD130 | COMPRESSOR, COPELAND (M2) |
| CONT3P025024V | CONT, 3 POLE, 25 AMP, 24 VAC |
| 0150M00008 | FAN BLADE, 22" TNT2203-25 (M1, M2) |
| 0150M00054 | FAN BLADE, 26" (M3, M4, M5, M6) |
| 0131M00783 | MOTOR, 1/4HP 8PL 460V (M4, M6) |
| 0131M00807 | MOTOR, 1/4HP, 1SP, 8PL, AL (M3, M5) |
| 0131M00784 | MOTOR, 1/6HP 8PL 460V (M2) |
| 0131M00753 | MOTOR, 1/6HP, 1SP, 8PL, AL (M1) |

SPECIAL PARTS

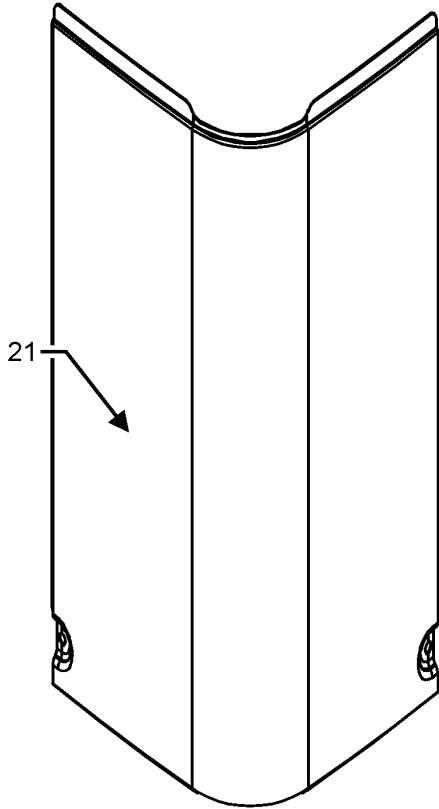
0161R00093 NAMEPLATE, DAIKIN

Expanded Model Nomenclature

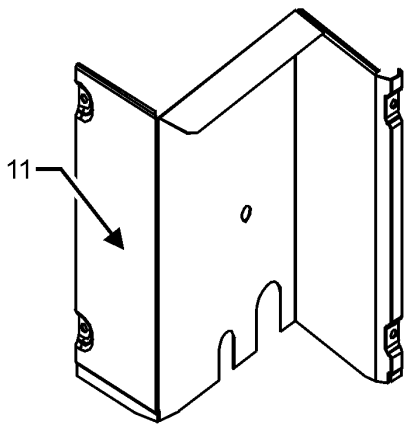
| |
|-------------------|
| M1 - DX3SEA3630AA |
| M2 - DX3SEA3640AA |
| M3 - DX3SEA4830AA |
| M4 - DX3SEA4840AA |
| M5 - DX3SEA6030AA |
| M6 - DX3SEA6040AA |

Control Panel Assembly

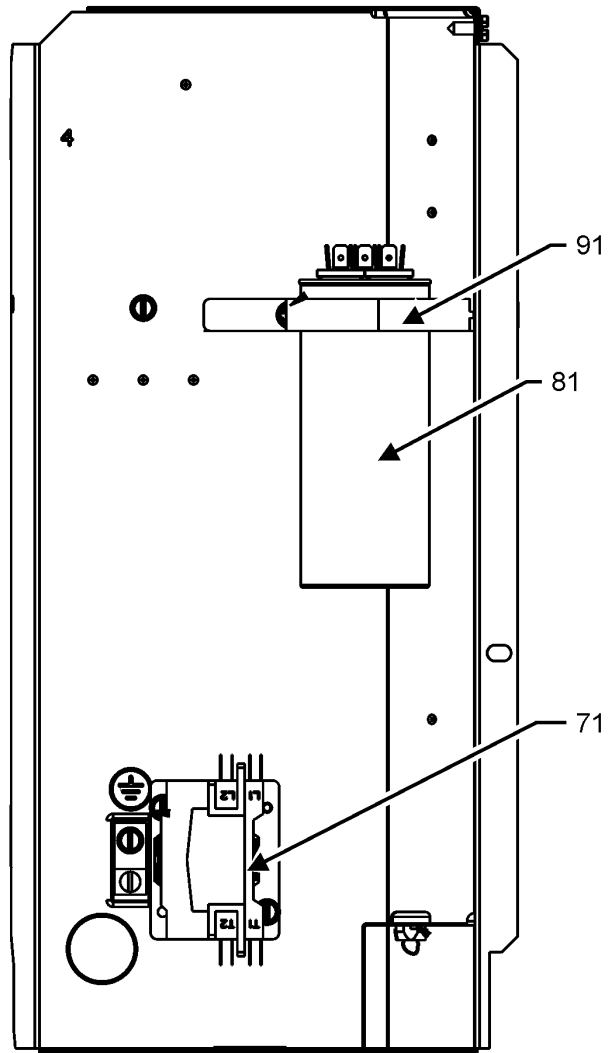
CONTROL PANEL ASSEMBLY



UPPER ACCESS COVER



LOWER ACCESS PANEL



CONTROL PANEL ASSEMBLY MAY DIFFER FROM WHAT IS SHOWN

Control Panel Assembly

| Ref. Part No: | No: | Description: | Ref. Part No: | No: | Description: |
|---------------|-----|--------------|---------------|-----|--------------|
|---------------|-----|--------------|---------------|-----|--------------|

Image 1:

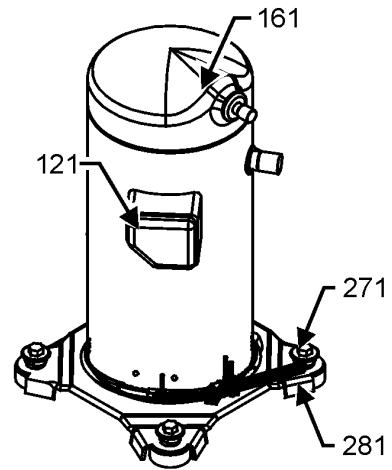
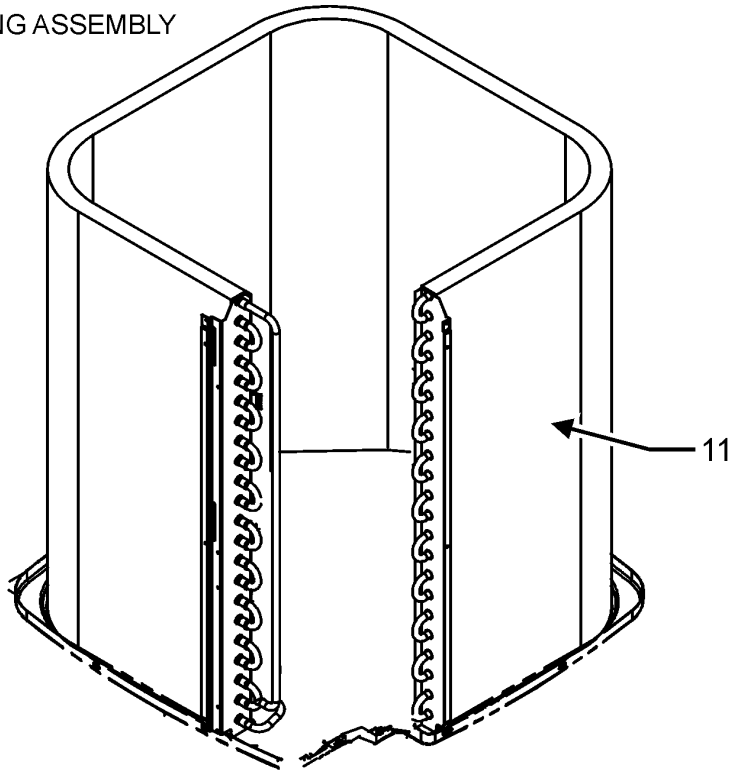
| | | |
|----|----------------|------------------------------|
| 11 | 0121R00909PNG | PNL, LWR ACCESS (M5, M6) |
| 11 | 0121R00912PNG | PNL, LWR ACCESS (M3, M4) |
| 11 | 0121R00919PNG | PNL, LWR ACCESS (M1, M2) |
| 21 | 0121R00937PNG | CONTROL COVER, SMALL PNT |
| 71 | CONT3P025024V | CONT, 3 POLE, 25 AMP, 24 VAC |
| 81 | CAP050000370LA | CAP, 5 MFD/370V/OVAL |
| 91 | 4400065 | CAPACITOR STRAP |
| NS | 0161R00093 | NAMEPLATE, DAIKIN |

Expanded Model Nomenclature

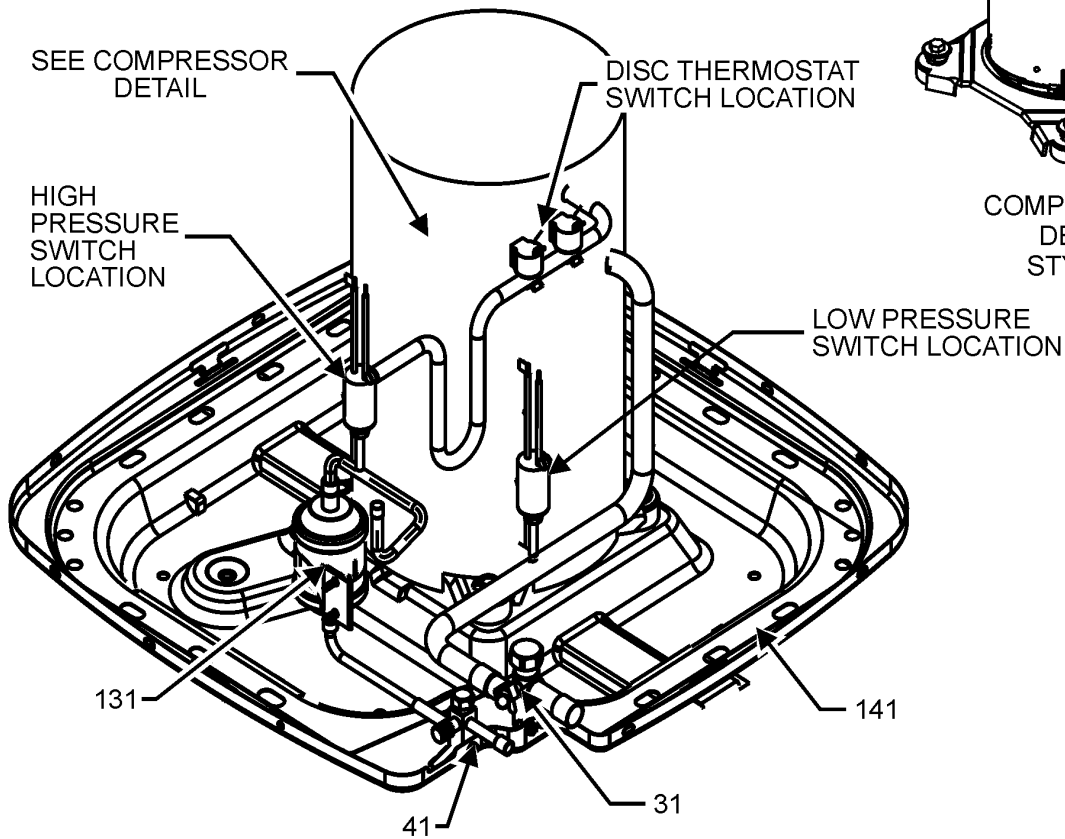
- M1 - DX3SEA3630AA
- M2 - DX3SEA3640AA
- M3 - DX3SEA4830AA
- M4 - DX3SEA4840AA
- M5 - DX3SEA6030AA
- M6 - DX3SEA6040AA

Compressor and Tubing Assembly

TUBING ASSEMBLY



COMPRESSOR
DETAIL
STYLE 2



ACTUAL TUBING ASSEMBLY MAY DIFFER FROM WHAT IS SHOWN

Compressor and Tubing Assembly

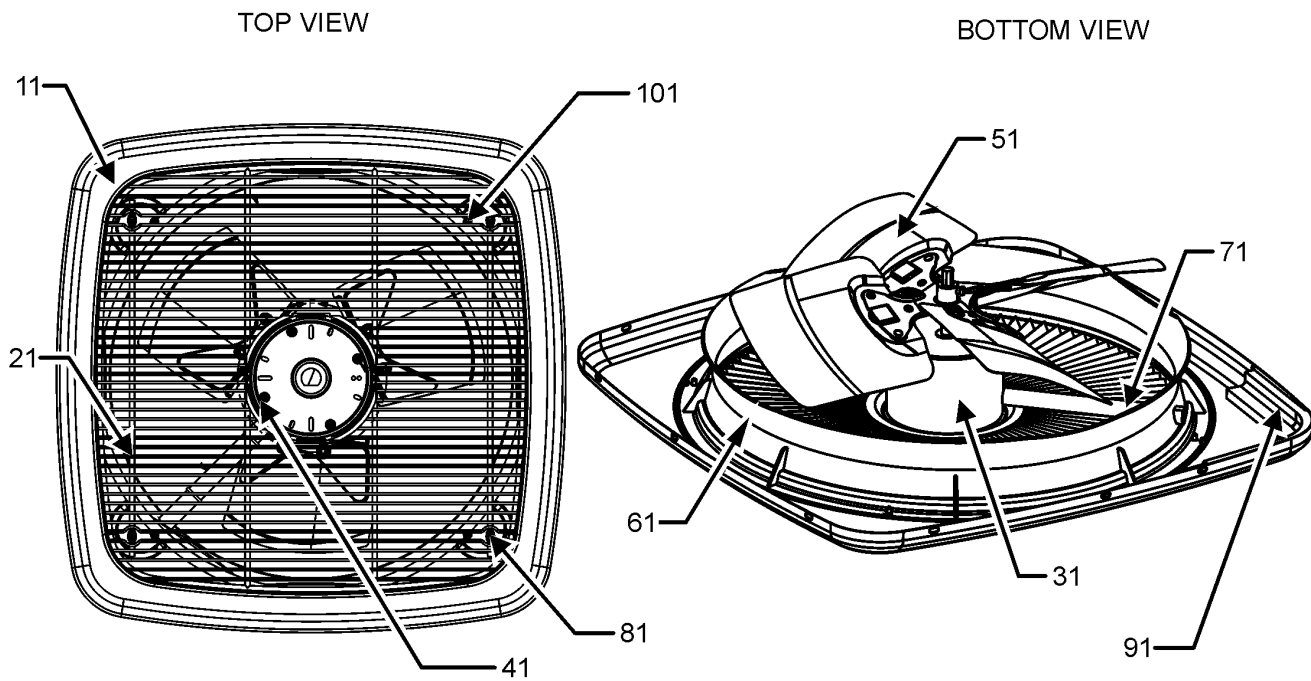
| Ref. Part No: | No: | Description: | Ref. Part No: | No: | Description: |
|-----------------|---------------|----------------------------------|---------------|-----|--------------|
| Image 1: | | | | | |
| 11 | 0201R00296 | COIL TUBING ASSEMBLY (M1, M2) | | | |
| 11 | 0201R00311 | COIL TUBING ASSY (M3, M4) | | | |
| 11 | 0201R00809 | COIL TUBING ASSY (M5, M6) | | | |
| 31 | 0151R00185 | BASE VALVE 3/4" (M1, M2) | | | |
| 31 | 0151R00186 | BASE VALVE 7/8" (M3, M4, M5, M6) | | | |
| 41 | 0151R00187 | BASE VALVE 3/8" | | | |
| 121 | 0159R00008 | HARNESS, COMP (M1, M2) | | | |
| 121 | 0159R00009 | HARNESS, COMP (M3, M4, M5, M6) | | | |
| 131 | 0162R00057 | FILTER DRIER | | | |
| 141 | 0121R00006PNG | BASE PAN 29" (M1, M2) | | | |
| 141 | 0121R00007PNG | BASE PAN 35" (M3, M4, M5, M6) | | | |
| 161 | ZP40K6ETF5120 | COMP, 53500, 208/230/60/3 (M3) | | | |
| 161 | ZP40K6ETFD120 | COMP, 53600, 460/60/3 (M4) | | | |
| 161 | ZP29K7ETF5130 | COMPRESSOR, COPELAND (M1) | | | |
| 161 | ZP29K7ETFD130 | COMPRESSOR, COPELAND (M2) | | | |
| 161 | ZP51K7ETF5130 | COMPRESSOR, COPELAND (M5) | | | |
| 161 | ZP51K7ETFD130 | COMPRESSOR, COPELAND (M6) | | | |
| 271 | M0221641 | TF SHOULDER SCREW (QTY 4) | | | |
| 281 | B1339533 | COMPRESSOR GROMMET (QTY 4) | | | |
| NS | B1789870 | FLOW CHECK PISTON KIT (M1, M2) | | | |

Expanded Model Nomenclature

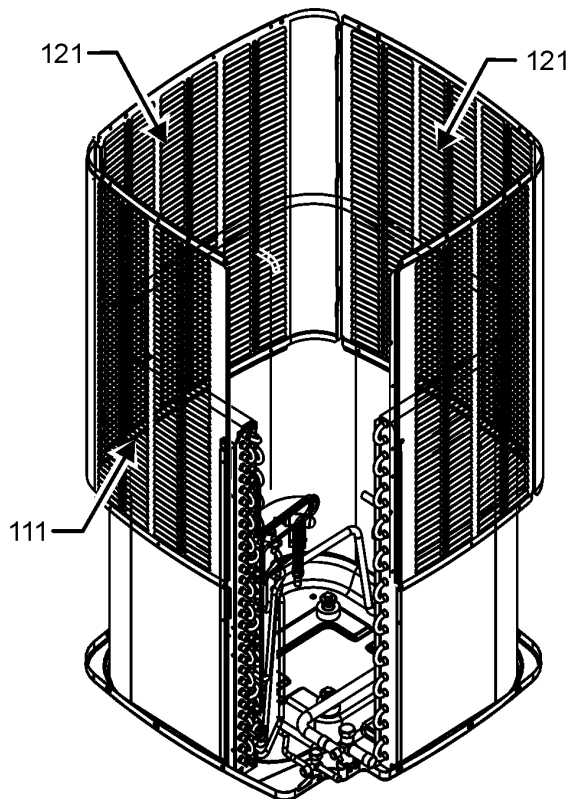
| |
|-------------------|
| M1 - DX3SEA3630AA |
| M2 - DX3SEA3640AA |
| M3 - DX3SEA4830AA |
| M4 - DX3SEA4840AA |
| M5 - DX3SEA6030AA |
| M6 - DX3SEA6040AA |

Top and Louver Panel Assembly

TOP PANEL AND LOUVER PANEL ASSEMBLY



LOUVER PANEL ASSEMBLY STYLE 1



TOP PANEL AND LOUVER ASSEMBLY MAY DIFFER FROM WHAT IS SHOWN

Top and Louver Panel Assembly

| Ref. Part No: | Part No: | Description: | Ref. Part No: | Part No: | Description: |
|---------------|----------|--------------|---------------|----------|--------------|
|---------------|----------|--------------|---------------|----------|--------------|

Image 1:

| | | |
|-----|---------------|---------------------------------------|
| 11 | 0121R00935PNG | PANEL, TOP 29. PNT (M1, M2) |
| 11 | 0121R00936PNG | TOP PANEL, 35. PNT (M3, M4, M5, M6) |
| 21 | 0152R00025 | 29" GRILLE CFS (M1, M2) |
| 21 | 0152R00026 | GRILL, WIRE 35. TOP (M3, M4, M5, M6) |
| 31 | 0131M00783 | MOTOR, 1/4HP 8PL 460V (M4, M6) |
| 31 | 0131M00807 | MOTOR, 1/4HP,1SP,8PL,AL (M3, M5) |
| 31 | 0131M00784 | MOTOR, 1/6HP 8PL 460V (M2) |
| 31 | 0131M00753 | MOTOR, 1/6HP, 1SP, 8PL, AL (M1) |
| 41 | 0163M00006P | ACORN NUT 5/16 HEX BLACK (QTY 4) |
| 51 | 0150M00008 | FAN BLADE, 22" TNT2203-25 (M1, M2) |
| 51 | 0150M00054 | FAN BLADE, 26" (M3, M4, M5, M6) |
| 61 | 0161R00104 | 29" VENTURI CFS (M1, M2) |
| 61 | 0161R00105 | 35" VENTURI CFS (M3, M4, M5, M6) |
| 71 | 0161R00002P | CONDUIT (M1, M2) |
| 71 | 0161R00005P | CONDUIT (M3, M4, M5, M6) |
| 81 | 0163M00003P | SCREW,#10 X 1/2,A,SLOT,SR,BLK (QTY 3) |
| 91 | 0154R00045 | GASKET, CONTROL PANEL |
| 101 | 0163M00004 | SCREW 10X3/4 BLK (QTY 4) |
| 111 | 0121R00200PNG | LOUVER, SIDE PANEL (M1, M2) |
| 111 | 0121R00240PNG | LOUVER, SIDE PANEL, PNT (M5, M6) |
| 111 | 0121R00239PNG | PANEL 1, LOUVER 35, 5MM, PNT (M3, M4) |
| 121 | 0121R00204PNG | LOUVER, SIDE PANEL (M1, M2) |
| 121 | 0121R00244PNG | LOUVER, SIDE PANEL, PNT (M5, M6) |
| 121 | 0121R00243PNG | PANEL 2, LOUVER 35, 5MM, PNT (M3, M4) |
| 131 | 0121R00193PNG | LOUVER, SIDE PANEL (M1, M2) |
| 131 | 0121R00248PNG | LOUVER, SIDE PANEL, PNT (M5, M6) |
| 131 | 0121R00247PNG | PANEL 3, LOUVER 35, 5MM, PNT (M3, M4) |
| NS | 0163M00005P | WASHER, BLACK (.50 OD .218D) (QTY 4) |

Expanded Model Nomenclature

- | |
|-------------------|
| M1 - DX3SEA3630AA |
| M2 - DX3SEA3640AA |
| M3 - DX3SEA4830AA |
| M4 - DX3SEA4840AA |
| M5 - DX3SEA6030AA |
| M6 - DX3SEA6040AA |